

The Ranch House Collection Specifications

Ranch House Collection Doors are available in three styles as described below:

Semi-Custom Doors – Series 130, 131, 132, and 133

- The Semi-Custom door pattern is formed from the frames, rails, and straight and angled stiles all made from the same type of wood.
- Angled inlay stiles will be of the thickness to lie on top of the flat panel inlay and remain flush with the doorframe.
- Doors shall be made with three sections for 7 ft and four sections for 8 ft doors.
- Lites shall be constructed with DSB glass and true divided lites (As shown per series).
- Finished door thickness will be 1-5/8".
- Semi custom doors are not offered with insulation. If the design is ordered with insulation, it will be quoted and built as a full custom door.
- Any deviation to specifications will be quoted as a full custom.
- Available in paint grade (standard primed), or stain grade.
- Heavy-duty hardware and track.

Custom Doors – Series 134, 135, 136, 137, 138, 139, 140, 141, 142, 143, 144, 145, 146, and 147

- The Custom door pattern is made from overlays mounted to the doorframe.
- Lites shall be constructed with DSB glass and true divided lites (As shown per series).
- On Custom doors insulation is standard.
- Door shall be made with three sections for 7 ft and four sections for 8 ft doors.
- Finished door thickness will be 2-1/2" to 3" depending on model and finish grade desired.
- Any deviation to specifications will be quoted as full custom.
- Available in paint grade (standard primed), or stain grade.
- Heavy duty hardware and track.

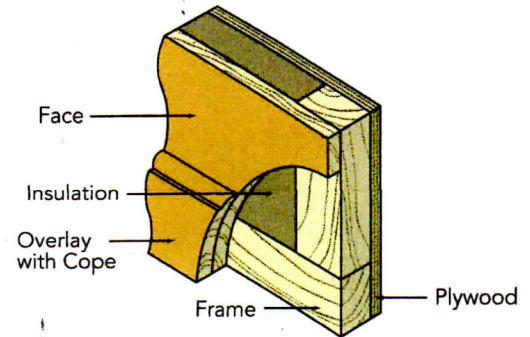
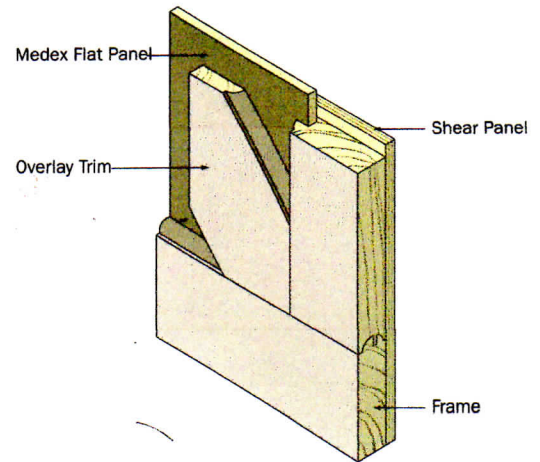
Full Custom Doors – Series 148 - Any design other than above

- Full Custom doors will be available in Semi-Custom or Custom door construction. Engineering must approve any deviation to the structural integrity of the doorframe.
- Arch tops or windows to fit customers entry shall be made from template furnished by customer.
- Full custom door designs will be drawn and submitted to customer, and approval shall be in writing. A set of drawings shall be supplied to the customer and the company; it shall be retained on file by supplier for making replacement sections.
- Available in paint grade (standard primed), or stain grade.
- Heavy duty hardware and track.

Warranty

The Ranch House Collection doors are covered by a one-year warranty against defects in workmanship or material. Please reference complete warranty sheet for details.

Semi-Custom Door Construction



Custom Door Construction

With over 80 years of superior craftsmanship, innovation and engineering excellence, the Overhead Door Ribbon is the brand to know for superior garage door products and expert service.



Overhead Door Co. of Glens Falls, Inc.
58 Saratoga Avenue
South Glens Falls, NY 12803
Ph 518-798-4228
Fax 518-798-0469

The Genuine. The Original.



Overhead Door Corporation
1900 Crown Drive
Farmers Branch, Texas 75234-6028
1-800-929-DOOR
www.OverheadDoor.com